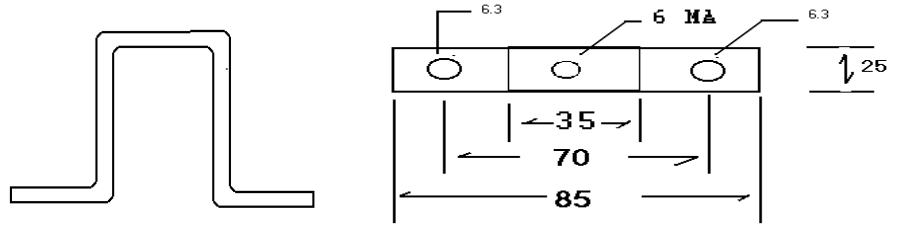


DIN RAIL SUPPORT BRACKETS

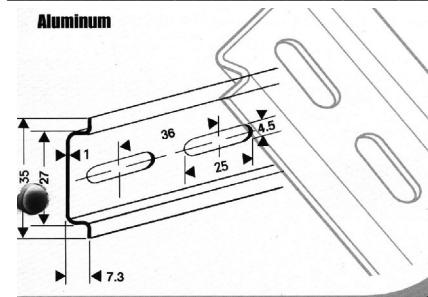
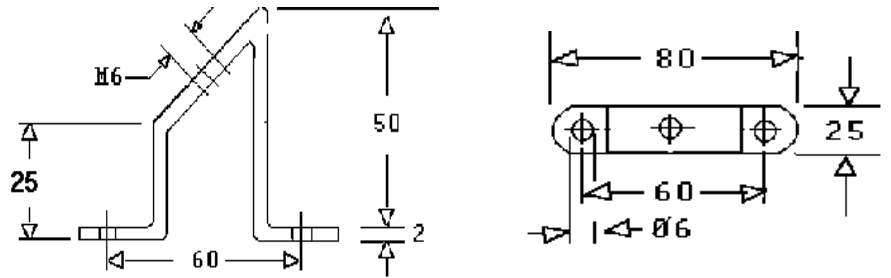
Galvanized Steel

Part No.	Height	
	MM	Inches
WB-1E	20	.79
WB-2E	40	1.57
WB-3E	70	2.75
WB-4E	90	3.5



Angled Support Bracket

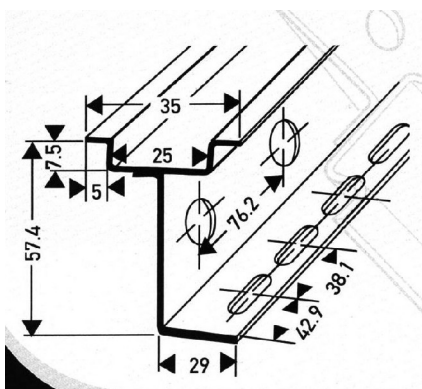
Part No.
STE-WB-Angled



Slotted aluminum rail

Part: WR-35AL/S

Sold in 1-meter lengths



Raised Aluminum DIN 35mm Rail

Part No. WR-35ALRR

1-meter length.