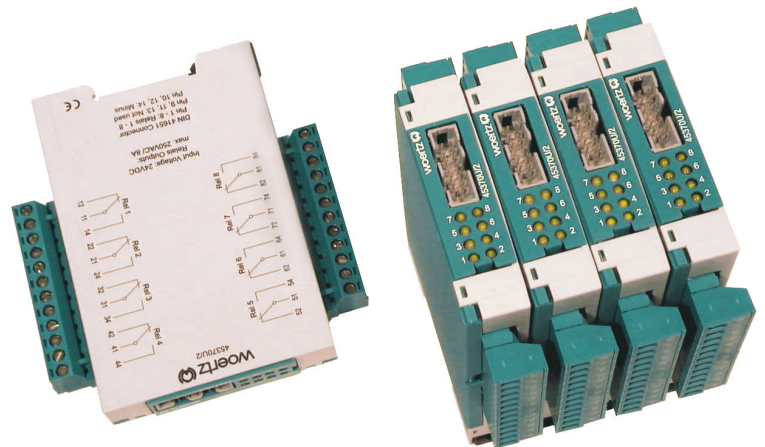


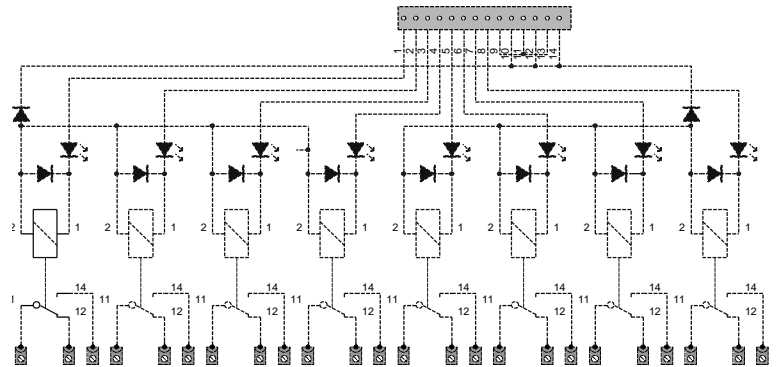
**Woertz AG**  
 Hofackerstrasse 47  
 P.O. Box 948  
 CH-4132 Muttenz  
 Phone +41 61 466 33 33  
 Fax +41 61 466 33 31  
 E-mail [elektronik@woertz.ch](mailto:elektronik@woertz.ch)  
 Internet [www.woertz.ch](http://www.woertz.ch)

8 relays, 1 changeover contact, max. 8A, DIN 41651



**Properties**

- Designed for being used in stored program systems
- Compatible with Woertz systems
- Small dimensioned housing
- Front connection through 14pole flat connector (DIN 41651)
- Sensitive relays
- Coils with common negative pole
- With indication of logical states
- Push-on connectors at the output
- Solid spring fastening system, for clipping on to rail EN 50022-35



**Technical data**

**Output**

Switching voltage  
 Switching current  
 Inrush current  
 Switching power  
 Number of contacts per relay  
 Contact material

max. 250VAC  
 max. 8A  
 max. 30A  
 2000VA  
 1 changeover contact  
 AgNi0.15

**Input**

Rated power  
 Rated voltage  
 Pickup voltage  
 Breaking voltage  
 Current consumption per channel (under rated voltage)

220mW  
 24VDC  
 19.5V  
 2.4V  
 9mA

**General data**

Operating temperature  
 Mechanical lifetime  
 Pickup, breaking and bouncing time  
 Nominal cross-section of terminals  
 Dimensions L x B x H (with/without multipolar connector)

-40°C to +60°C  
 30 x 10<sup>6</sup> switching cycles  
 7/ 12/ 1ms  
 2.5 mm<sup>2</sup>  
 19/ 20 x 81/ 102 x 107

**Art. No.**

24VDC

**45370U/2**