

Fuse terminals with fuse-carrier

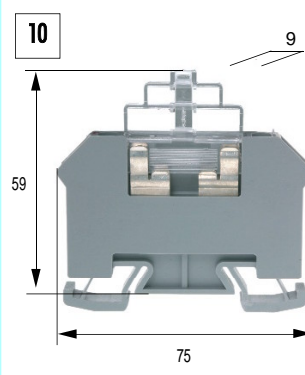
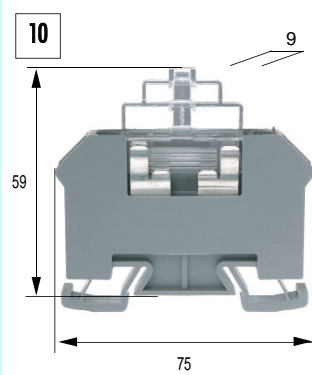
up to 10 mm²



PA 66



- Clamping unit of nickel-plated brass
- Springs and screws of stainless steel
- 4-figure marking on both sides
- May be provided with a fuse up to max. 6.3A either 5x20mm or 1/4"x1 1/4" (6.3x32mm)
- Available with LED 24V to indicate damaged fuse
- Delivered without fuse



Never handle fuse-carrier when live!



Article numbers

Ratings	0.5-10mm ² 250V/6.3A	20-8 AWG 300V/6.3A	0.5-10mm ² 250V/6.3A	20-8 AWG 300V/6.3A
	without indicator		with LED 24 V for fuse 24V	
grey	30176		30228	



Technical data

Connecting capacity	mm	4.5x5.5	4.5x5.5
Clamping screws		M4	M4
Strip insulation	mm	14	14
Clamping couple for electric screw-driver	Nm	0.8	0.8
Packing unit	pcs	20	20



Accessories see pages 1.1.71 to 1.1.107

Marking accessories		3957/.	8 labels	3957/.	8 labels
		3958/.	8 labels	3958/.	8 labels
		RB/6x12	2 labels	RB/6x12	2 labels
End barriers		30159		30159	
Stoppers		3418		3418	
Stop pieces		30199		30199	
Separate fuse-carrier may be provided with a fuse up to max. 6.3A either 5x20mm or 1/4"x1 1/4" (6.3x32mm)		30180		30180	

Technical information

In a single fuse terminal, a heavier load is possible than in a bloc of several fuse terminals strung together that heat each other up. This source of heat has to be taken into account when planning.