

# Modules with optocoupler sockets

for 1 changeover contact 250 V AC, 16 A



## Properties

- 4kV/ 8mm between inputs and outputs on the circuit board (test voltage)
- For relays and optocouplers with 5mm pin spacing
- Plastic clips for 16 mm and 25 mm high relays (to order separately)
- State indicator on the circuit board
- Compact design
- Two common terminals on coil side allow easy jumpering to next module
- Clearly structured modules
- Marking possibilities
- Complete range: 1, 4, 8 or 16 plug-in bases per module

## Accessories

- 30413RO Cross connection 20-pole red
- 31413BL Cross connection 20-pole blue
- 45294/20 Marking label 10 x 20mm
- 45294/30 Marking label 10 x 30mm
- 30374 Plastic clips for 16 mm high relays
- 30375 Plastic clips for 25 mm high relays

## Technical data

### Circuit elements: Required specifications

- Pin spacing
- Total height
- Type of contact
- Possible relays (incomplete listing)

Possible optocouplers (incomplete listing)

### Output

- Max. voltage
- Max. switching current
- Max. continuous current
- Number of contacts per circuit element

### Control side

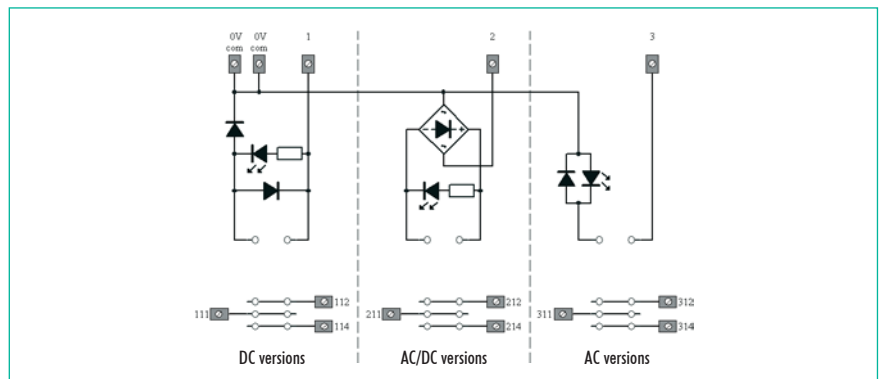
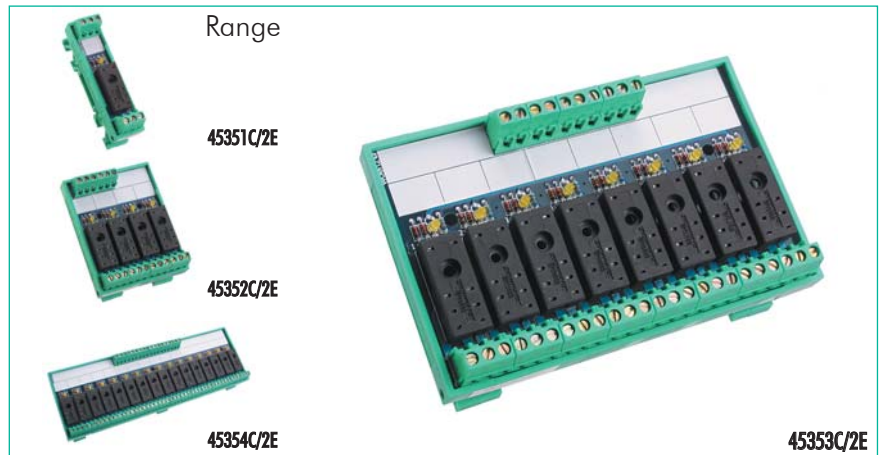
- Operating voltage tolerance
- Protection element for DC types

### General data

- Operating temperature
- Rated cross section of connecting terminals
- Size W x H (from rail)
- Length

## Order numbers

- 12 V DC
- 24 V DC
- 48 - 60 V DC
- 24 V AC/DC
- 115 - 230 V AC



1 base	4 base	8 base	16 base
	5 mm		
	16 mm und 25 mm		
	1 changeover contact, 1 NO or 1 NC contact		
	Siemens: RT2, RT3, RPxx0, RPxx1, RP3SL		
	Finder: 40.51, 40.61, 41.61		
	Woertz: 45331, 45337, 45338, 45339		
	250 V AC		
	16 A		
	12 A		
	1 changeover contact		
	given range $\pm 20\%$		
	polarity protection diode and recovery diode		
	-40°C up to +60°C		
	2.5 mm <sup>2</sup>		
	83 x 53 mm		
20 mm	65 mm	130 mm	250 mm
1 base	4 bases	8 bases	16 bases
45351C/1E	45352C/1E	45353C/1E	45354C/1E
45351C/2E	45352C/2E	45353C/2E	45354C/2E
45351C/19E	45352C/19E	45353C/19E	45354C/19E
45351C/12E	45352C/12E	45353C/12E	45354C/12E
45351C/45E	45352C/45E	45353C/45E	45354C/45E