

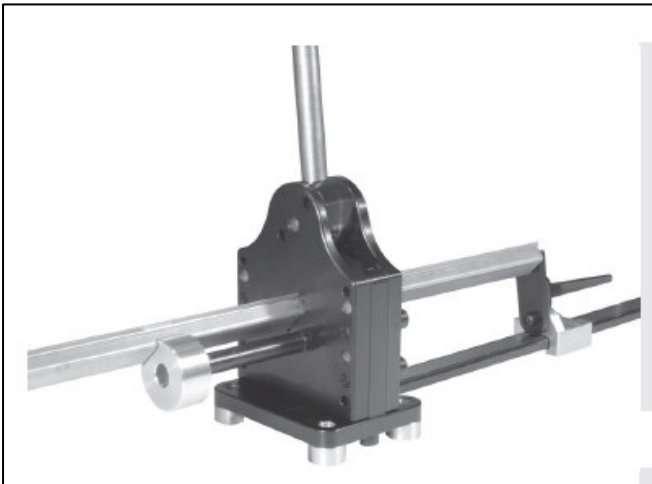
WR-ECM-400



Part No. WRC-510-701

- Medium duty industrial grade rail cutter
- Cuts the 15x5; 35x7.5; 35x15 mm Din rails plus our 35mm aluminum rail
- Ruler and end stop included
- Bench mount

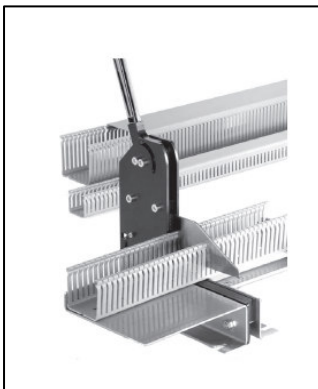
WR-ACL-DUO



Part No. WRC-510-540

- Heavy duty cutter
- All inclusive dual-profile cutter
- Cuts the two most popular Din rails: 35 x 7.5 & 35 x 15mm)
- Durable and long lasting (50,000 + cuts)
- Ruler and end stop included

Also Available



WDC-VKS125

Part No. WDC-530-100

Heavy-duty, easy to use, high-precision bench mount wire duct cutter
Comes with a measuring guide and end stop